



Suite 403 • City County Building
400 Main Street
Knoxville, Tennessee 37902
865 • 215 • 2500
FAX • 215 • 2068
www.knoxmpc.org

Downtown Knoxville Design Overlay District Certificate of Appropriateness

Name of Applicant: SIGNS OF INTEGRITY

Owner Contractor Architect Engineer Other _____

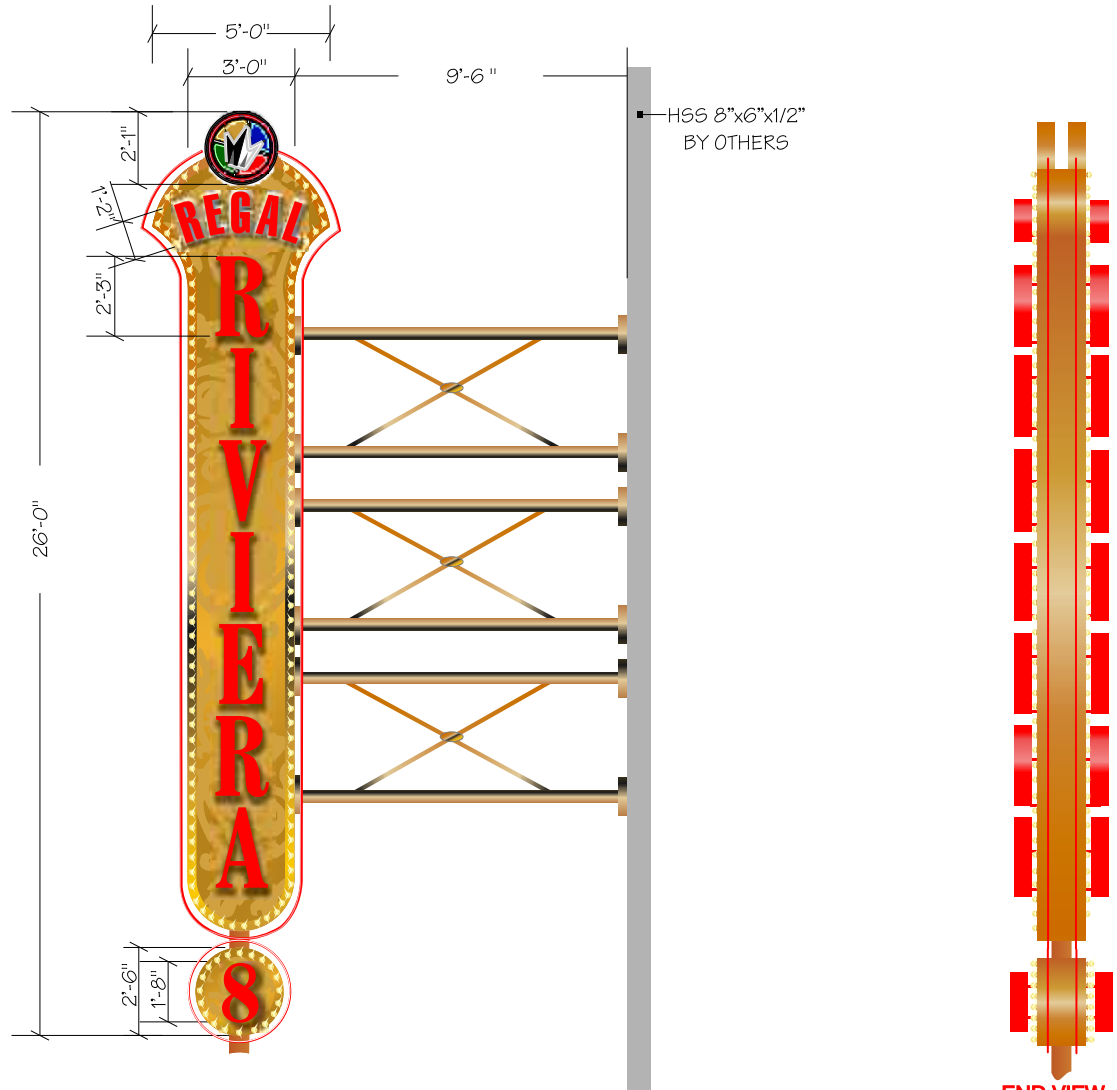
Date Filed: 11/6/07 Application accepted by: ANNE WALLACE

Fee Amount: \$30.00 Review Date: 11/7 File Number: 11-13-07-DT

PRE-APPLICATION CONFERENCE		Date Completed: _____
<p style="text-align: center;">PROPERTY INFORMATION</p> <p>Building or Project Name: <u>REGAL CINEMAS MOVIE THEATRE</u></p> <p>Street Address: <u>510 S. GAY STREET</u></p> <p>Tax Identification Number(s): _____</p>	<p style="text-align: center;">PROJECT ARCHITECT/ENGINEER</p> <p>PLEASE PRINT Name: <u>BRIAN WILSON</u></p> <p>Company: <u>TK ARCHITECTS</u></p> <p>Address: <u>106 W. 11TH STREET</u></p> <p>City: <u>KANSASCITY</u> State: <u>MO</u> Zip: <u>64105</u></p> <p>Telephone: <u>(816) 842-7552</u></p> <p>Fax: <u>(816) 842-1302</u></p> <p>E-mail: <u>BWILSON@TKARCH.COM</u></p>	
<p style="text-align: center;">PROJECT INFORMATION</p> <p>LEVEL 1: <input type="checkbox"/> Minor Alteration of an Existing Building/Structure <input checked="" type="checkbox"/> Sign</p> <p>LEVEL 2: <input type="checkbox"/> Major Alteration of an Existing Building/Structure <input type="checkbox"/> Addition to an Existing Building/Structure</p> <p>LEVEL 3: <input type="checkbox"/> Construction of New Building/Structure</p>	<p style="text-align: center;">PROJECT CONTRACTOR</p> <p>PLEASE PRINT Name: <u>BLAINE CONSTRUCTION</u></p> <p>Company: <u>BLAINE CONSTRUCTION</u></p> <p>Address: <u>6510 DEAN HILL DR</u></p> <p>City: <u>KNOXVILLE</u> State: <u>TN</u> Zip: <u>37919</u></p> <p>Telephone: <u>(865) 693-8900</u></p> <p>Fax: <u>(865) 691-7606</u></p> <p>E-mail: _____</p>	
<p style="text-align: center;">ACCOMPANYING MATERIALS</p> <p>Please see the reverse side of this form for a list of information required as part of this application.</p>	<p style="text-align: center;">PROJECT CONTACT</p> <p>All application-related correspondence should be directed to:</p> <p>PLEASE PRINT Name: <u>JACK JUSTICE</u></p> <p>Company: <u>SIGNS OF INTEGRITY</u></p> <p>Address: <u>5720 MIDDLEBROOK PK</u></p> <p>City: <u>KNOXVILLE</u> State: <u>TN</u> Zip: <u>37862</u></p> <p>Telephone: <u>(865) 330-2500</u></p> <p>Fax: _____</p> <p>E-mail: <u>JACK@SIGNSOFINTEGRITY.COM</u></p>	
<p style="text-align: center;">PROPERTY OWNER</p> <p>PLEASE PRINT Name: <u>REGAL ENTERTAINMENT GROUP</u></p> <p>Company: <u>REGAL ENTERTAINMENT GROUP</u></p> <p>Address: <u>7132 REGAL LANE</u></p> <p>City: <u>KNOXVILLE</u> State: <u>TN</u> Zip: <u>37862</u></p> <p>Telephone: <u>(865) 925-9479</u></p> <p>Fax: <u>(865) 925-9763</u></p> <p>E-mail: <u>KATE.KORNHAUS@REGALCINEMAS.COM</u></p>		



NIGHT VIEW



BLADE SIGN ELEVATION



CUSTOM FINISHERS INC.
Your Sign, Your Brand, Our Passion.

This design / engineering proposal is to remain Custom Finisher's exclusive property until approved and accepted through purchase by client named on drawing.

7205 Hibbs Lane Levittown, PA 19057
phone 215.269.7500 fax 215.269.7954



REGAL CINEMAS

CLIENT	REGAL CINEMAS
ADDRESS	RIVIERA 8, KNOXVILLE
DATE	SCALE
-	AS NOTED
DRAWN BY	DRAWING NUMBER
-	-

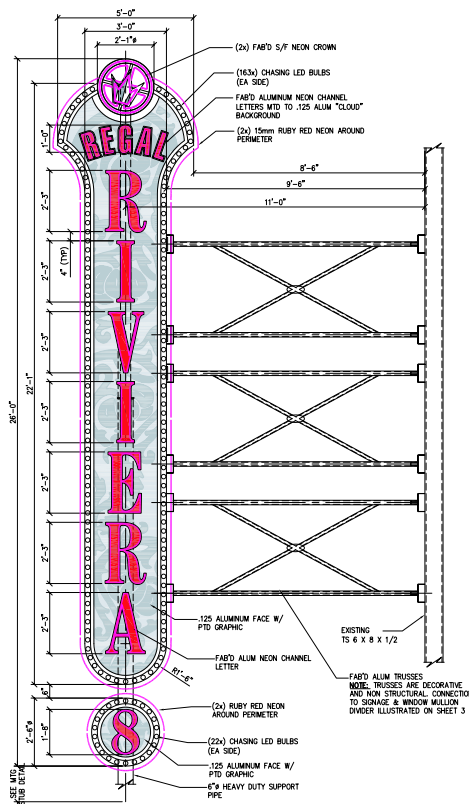
NOTES

SHEET

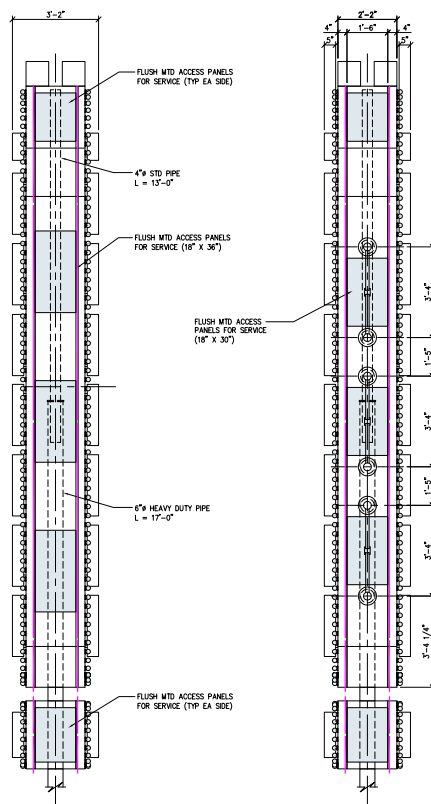
1

REVISION #

0

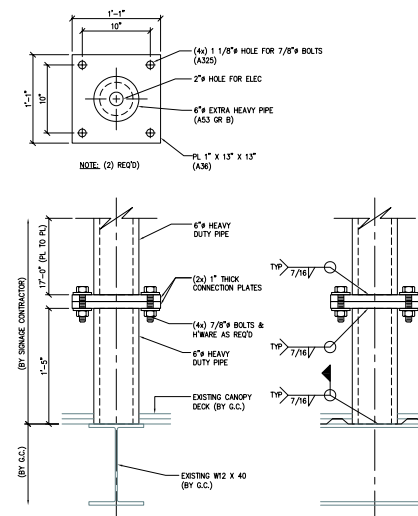


FACE VIEW
SCALE: 1/4" = 1'-0"

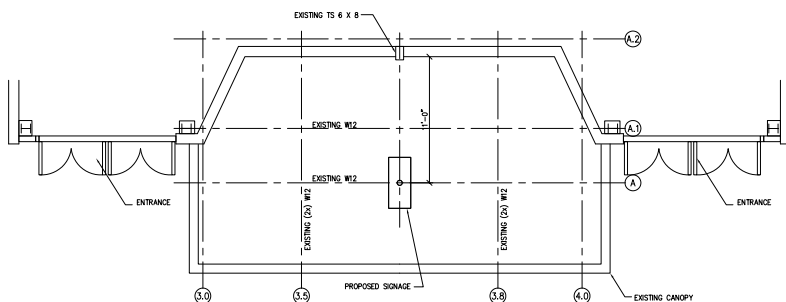


END VIEW (PARKING LOT)
SCALE: 1/4" = 1'-0"

END VIEW (THEATRE SIDE)
SCALE: 1/4" = 1'-0"



MOUNTING STUB DETAILS
SCALE: 1 1/2" = 1'-0"



PARTIAL CANOPY PLAN
SCALE: 3/16" = 1'-0"

- ENGINEERING NOTES**
- APPROXIMATE SIGNAGE WEIGHT 3500lbs.
 - CF SIGN IS RESPONSIBLE FOR THE ENGINEERING OF SIGN & ALL RELATED SIGN COMPONENTS FROM THE WELDED CONNECTION AT THE TOP OF W12x24 CANOPY BEAM TO THE WALL CONNECTION OF TRUSSES ON TS 6x8 IN THE WINDOW WALL.
 - G.C. TO BE RESPONSIBLE FOR THE ENGINEERING OF BRACING & REINFORCEMENT TO THE EXISTING CANOPY STRUCTURE AS NESSECCARY TO SUPPORT SIGN.



This design / engineering proposal is to remain Custom Finisher's exclusive property until approved and accepted through purchase by client named on drawing.
7205 Hibbs Lane Levittown, PA 19057
phone 215.269.7500 fax 215.269.7954



CLIENT	REGAL CINEMAS
ADDRESS	RIVIERA 8, KNOXVILLE
DATE	SCALE
DRAWN BY	AS NOTED
	DRAWING NUMBER

NOTES	SHEET	2
	REVISION #	0



CUSTOM FINISHERS
INC.
Your Sign, Your Brand, Our Passion.

This design / engineering proposal is to remain Custom Finisher's exclusive property until approved and accepted through purchase by client named on drawing.

7205 Hibbs Lane Levittown, PA 19057
phone 215.269.7500 fax 215.269.7954



REGAL CINEMAS

CLIENT	REGAL CINEMAS	
ADDRESS	RIVIERA 8, KNOXVILLE	
DATE	SCALE	
-	AS NOTED	
DRAWN BY	DRAWING NUMBER	
-	-	

NOTES	SHEET	
		3
	REVISION #	
		0